



SECTION 1.7_KSVB

VACUUM RELIEF VALVE

INTRODUCTION

The model KSVB is designed, manufactured and tested according to the API 2000 code. Utilize the latest technologies to provide protection against positive or vacuum over pressure and prevent air intake, evaporative losses of product and help to contain odorous and potentially explosive vapours.

Setting Pressure

KSVB Spring Loaded model	Min. - 20 mmW.C ~ Max. - 9,000 mmW.C
--------------------------	--------------------------------------

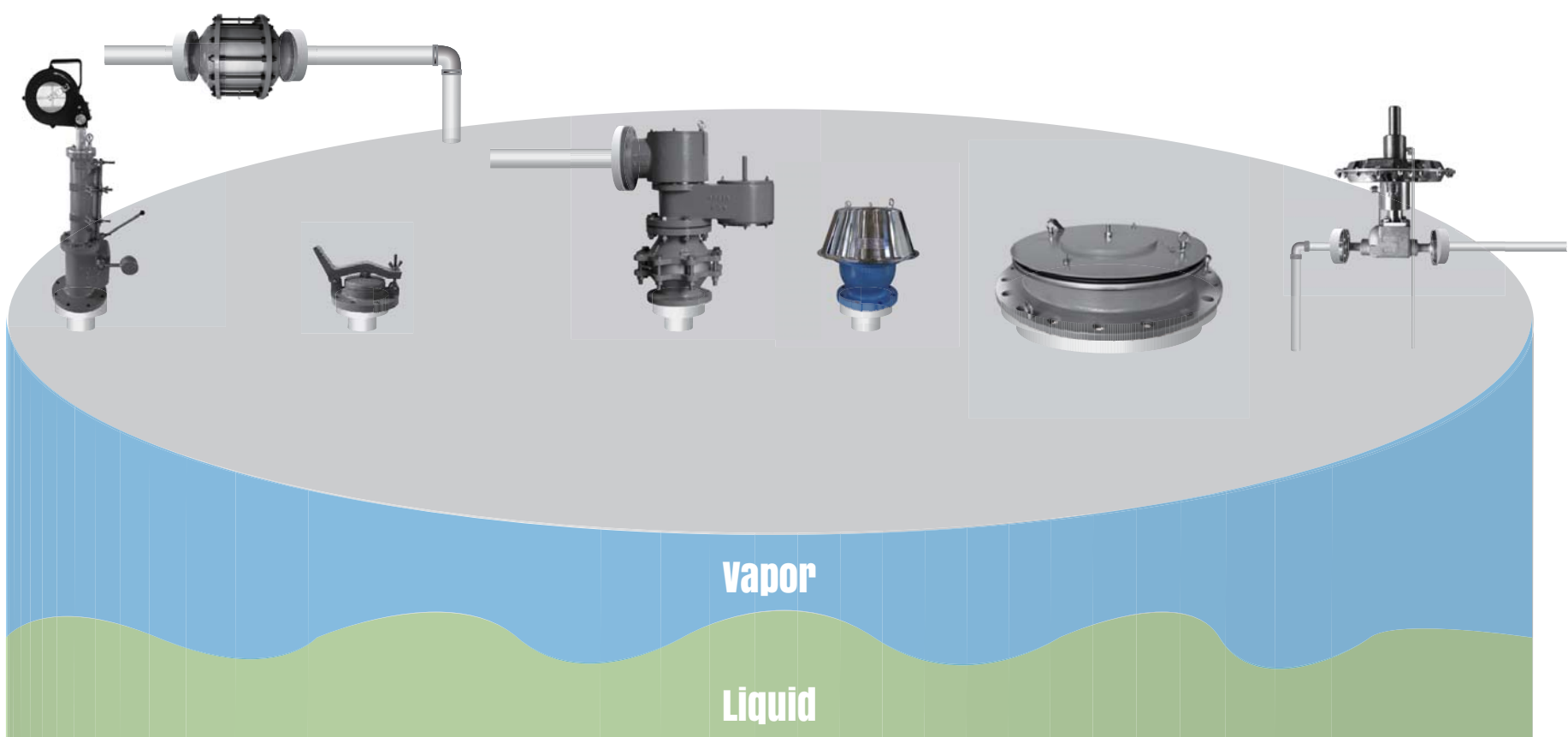
Body Materials Carbon Steel, SS304 and SS316 with various trims
(Different materials available on request)

Sizes range DN 50 ~ DN 350 with ANSI 150lb flanges as standard
(Different connections available on request)

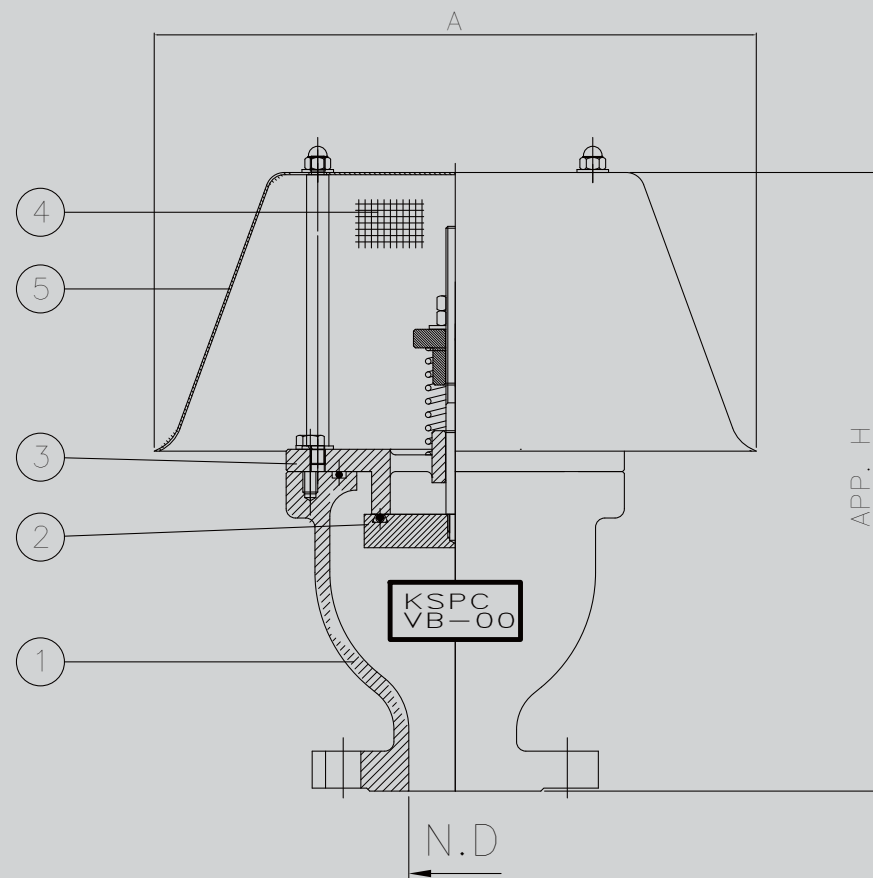
Rules & Certifications API 2000

Optimum / optional Design & Arrangements Stem Jacket type, Steam Tracing type, Proximity type, Teflon Coating/Lining type

APPLICATION



OUTLINE DRAWING



DIMENSION TABLE

SIZE	2"	3"	4"	6"	8"	10"	12"	14"
N.D	50	80	100	150	200	250	300	350
A	324	440	440	440	476	544	620	685
Approx. H	333	380	395	405	430	480	510	580

NOTE Standard Connection(ANSI 150LB flange) and JIS or different types are available upon request.

COMPONENT MATERIAL

ITEM NO	COMPONENT	BODY	ALUMINIUM	C.S	SS304	SS316
		TRIM	SS304	SS304	SS304	SS316L
1	BODY		B26-319.F	A216-WCB	A351-CF8	A351-CF8M
2	VACCUM STEM		SS304	SS304	SS304	SS316L
3	VACUUM DISC		SS304	SS304	SS304	SS316L
4	VACUUM SEAT		A351-CF8	A351-CF8	A351-CF8	A351-CF8M
5	WEATHER HOOD		SS304	SS304	SS304	SS316L
6	BRID SCREEN		SS304	SS304	SS304	SS316L
7	SPRING		SS304	SS304	SS304	SS316