



SECTION 1.3_KSBBJ/BJJS

PRESSURE VACUUM RELIEF VALVE WITH STEAM JACKET

INTRODUCTION

The model KSBBJ and KSBJS pressure vacuum valves are an advanced design for vent to atmosphere applications. Designed, manufactured and tested according to the API 2000 code, these valves utilize the latest technologies to provide protection against positive or vacuum over pressure and prevent air intake, evaporative losses of product and help to contain odorous and potentially explosive vapours.

Setting Pressure

KSBBJ Weight Loaded model	Min. +/- 20 mmW.C ~ Max. + 700/- 430 mmW.C
KSBJS Spring Loaded model	Min. + 700/- 430 mmW.C ~ Max. +/- 9,000 mmW.C

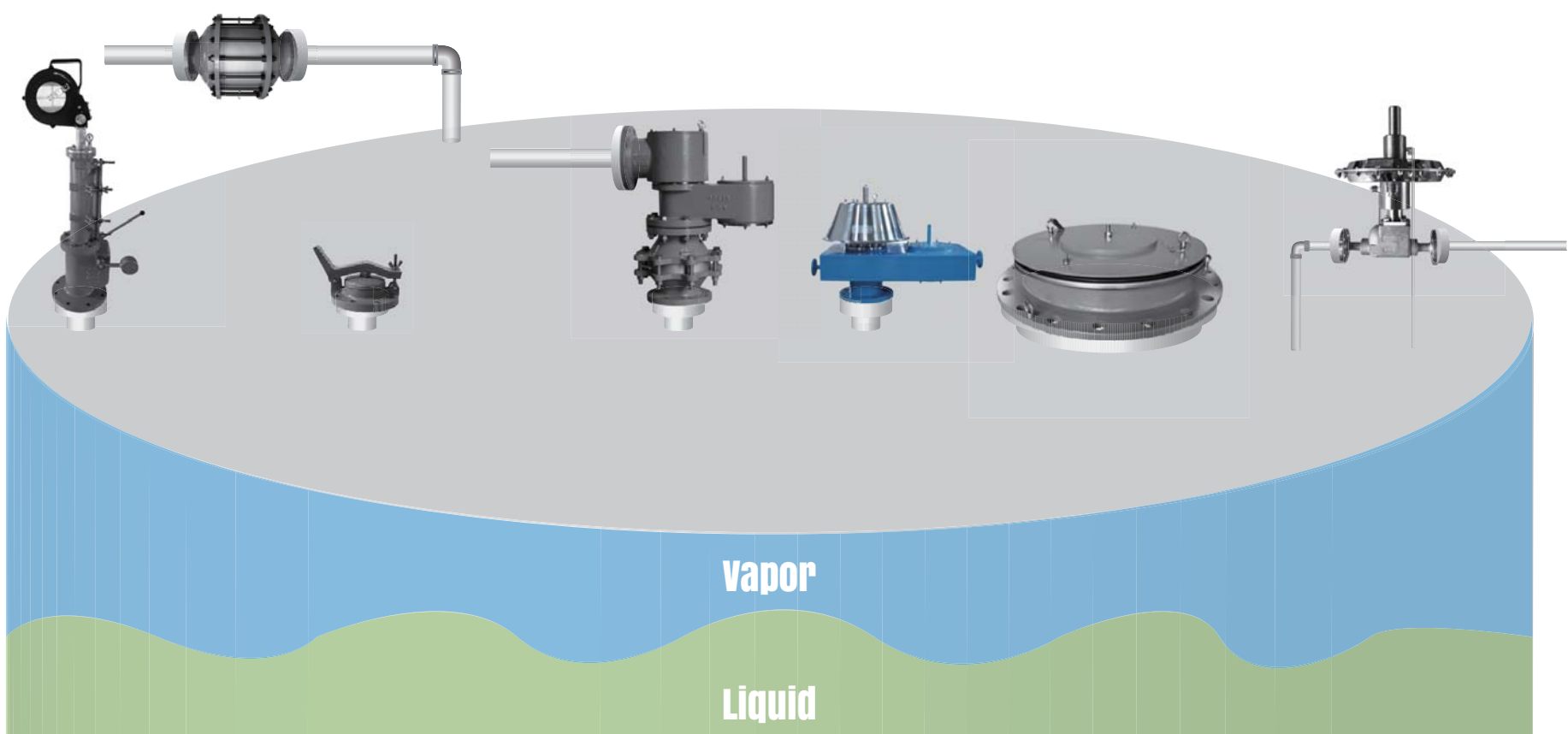
Body Materials Carbon Steel, SS304 and SS316 with various trims
(Different materials available on request)

Sizes range DN 50 ~ DN 350 with ANSI 150lb flanges as standard
(Different connections available on request)

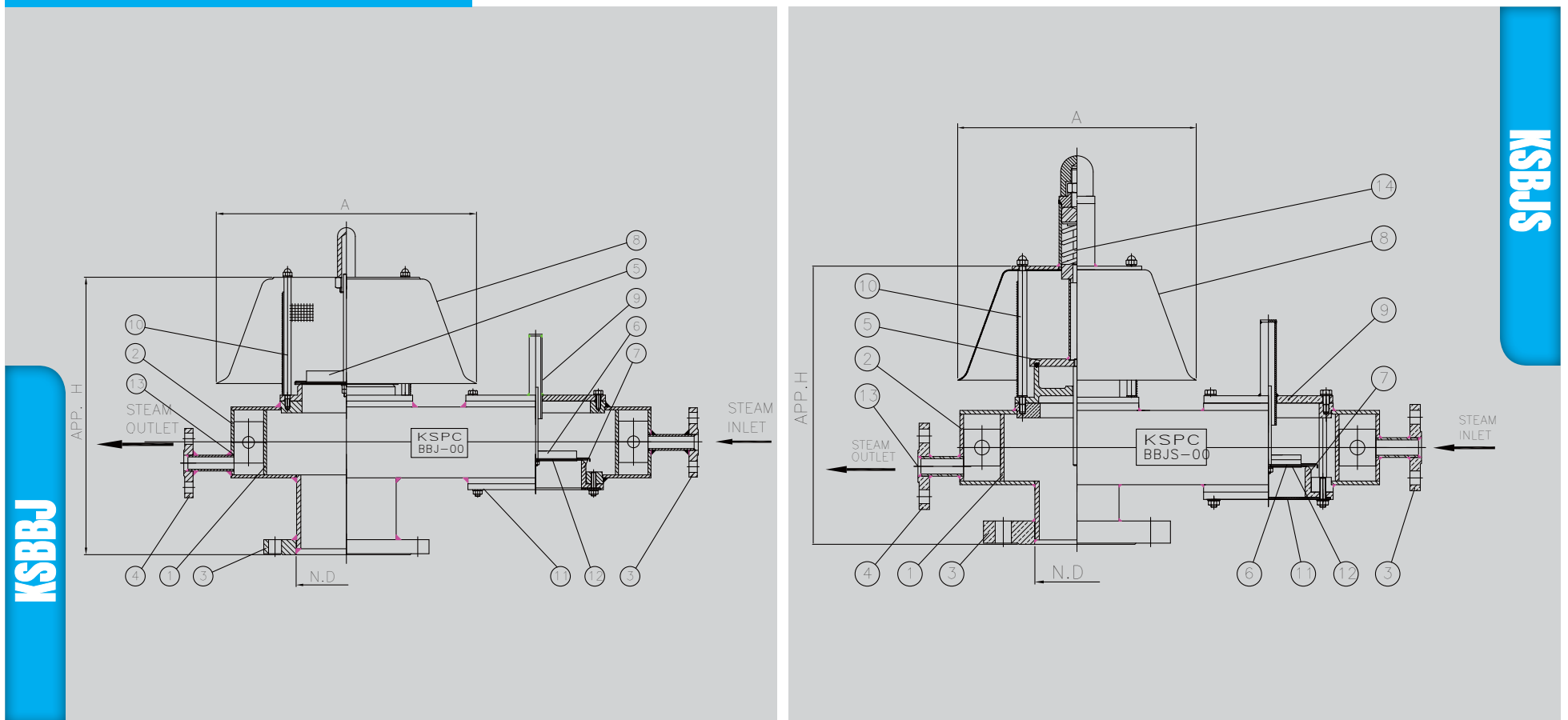
Rules & Certifications API 2000

Optimum / Optional Design & Arrangements Stem Jacket type, Steam Tracing type, Proximity type, Teflon Coating/Lining type

APPLICATION



OUTLINE DRAWING



Section 1.3
KSBBJ/BS

KSBJ

DIMENSION TABLE

SIZE	2"	3"	4"	6"	8"	10"	12"
N.D	50	80	100	150	200	250	300
A	250	294	324	440	476	544	620
Approx. H	370	384	390	430	475	525	580

NOTE Standard Connection(ANSI 150LB flange) and JIS or different types are available upon request.

COMPONENT MATERIAL

ITEM NO	COMPONENT	BODY	C.S	SS304	SS316
		TRIM	SS304	SS304	SS316L
1	BODY		C.S	SS304	SS316L
2	JACKET		SS304	SS304	SS316L
3	FLANGE(INLET)		SS304	SS304	SS316L
4	FLANGE(OUTLET)		SS304	SS304	SS316L
5	PRESSURE DISC		SS304	SS304	SS316L
6	VACUUM DISC		SS304	SS304	SS316L
7	VACUUM SEAT		A351-CF8	A351-CF8	A351-CF8M
8	WEATHER HOOD		C.S	SS304	SS316L
9	VACUUM COVER		SS304	SS304	SS316L
10	PRESSURE SCREEN		SS304	SS304	
11	VACUUM SCREEN		SS304	SS304	SS316L
12	DIAPHRAGM			TEFLON	
13	STEAM LINE		SS304	SS304	SS316L
13.1	PALLET WEIGHT			COATED CS OR SS	
14	SPRING		SS304	SS304	SS316