

KSGH / KSGE TYPE

Gauge Hatch Cover & Slot Dipping Device

INSTRUCTION MANUAL



CONTENTS

- ◆ General Description
- ◆ Operation
- ◆ Shop / Job Site Testing
- ◆ Installation
- ◆ Maintenance

K.S.P.C

488-1 Wolha-ro, Tongjin-eup, Gimpo-si, Gyeonggi-Do, Korea

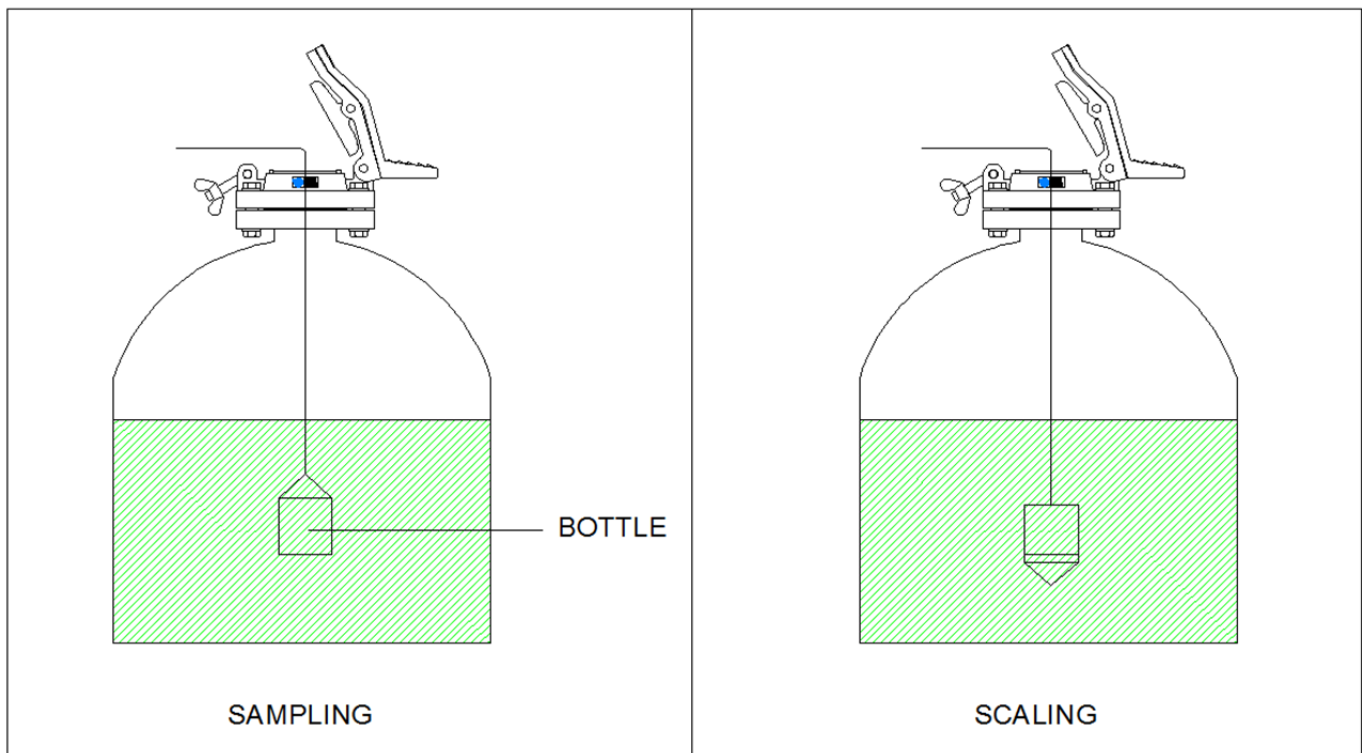
Tel : +82-31-998-3825-7

Fax: +82-31-998-3828

Web Site : www.ikspc.com

Section 1. General Description

- 1-1 The sampling and gauging hatch cover of the model KSGH/KSGE are designed, manufactured and tested According to the KSPC standard.
- 1-2 The Model KSGH/KSGE is made to take the fluid sample from the storage tank, to measure the temperature, And to take test of the stored fluids.
- 1-3 The model KSGH is used under 0.05 kg/cm² pressure of storage tank.
The model KSGE can be used Gauge Hatch as well as Pressure Relief Valve.



Section 2. Installation

- 2-1 It should be installed in the opening nozzle of the top roof of tank.
- 2-2 Model KSGH/KSGE should be installed in the tank nozzle vertically.
- 2-3 You should handle with the proper lifting jig to prevent the damage of products.

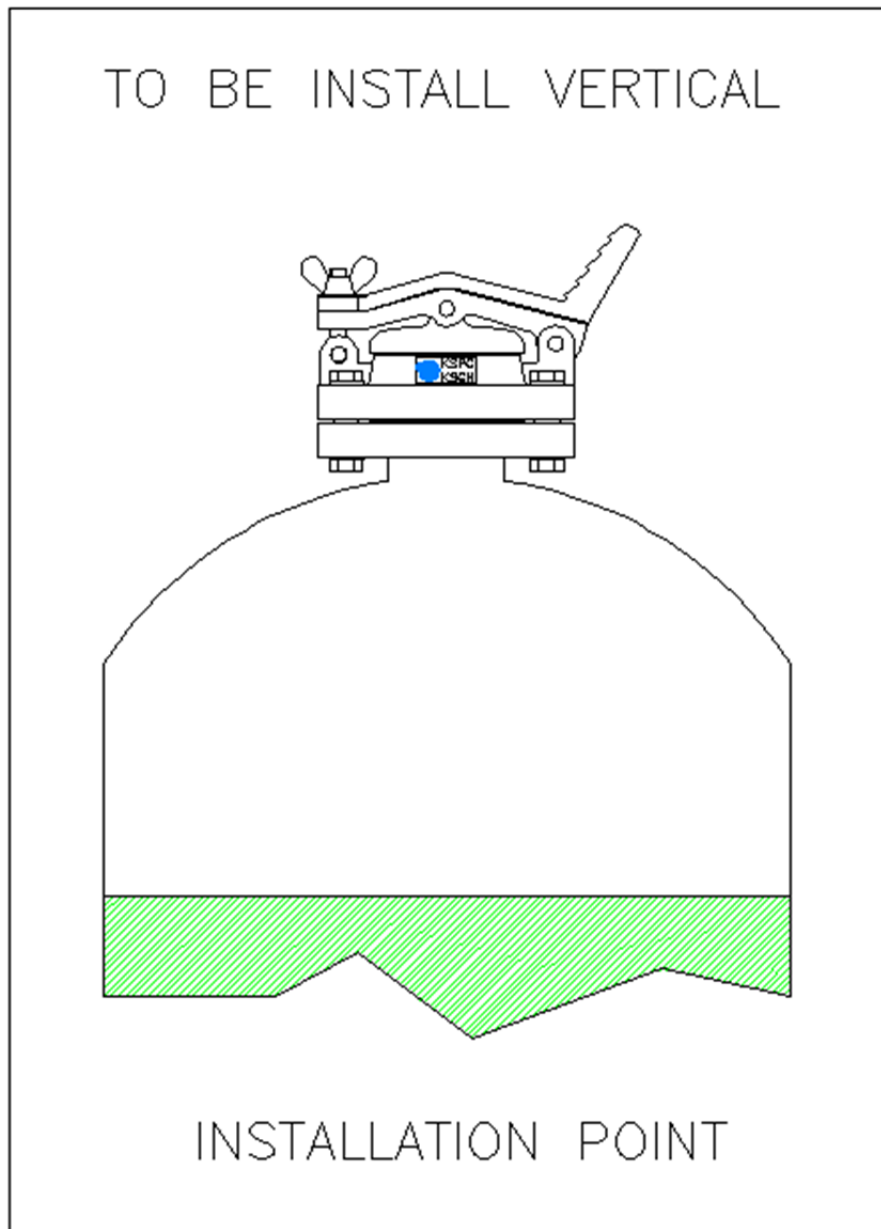


Figure 1

Section 3. Operation

- 3-1 The model KSGH protects the stored fluid in the tank with pad lock device which block the intake of the Foreign substances to the tank.
- 3-2 In model KSGH, it is easy to examine the fluid in the tank by measuring the fluid temperature and the Liquid level as on loosen the pad lock nut and just push the food pedal

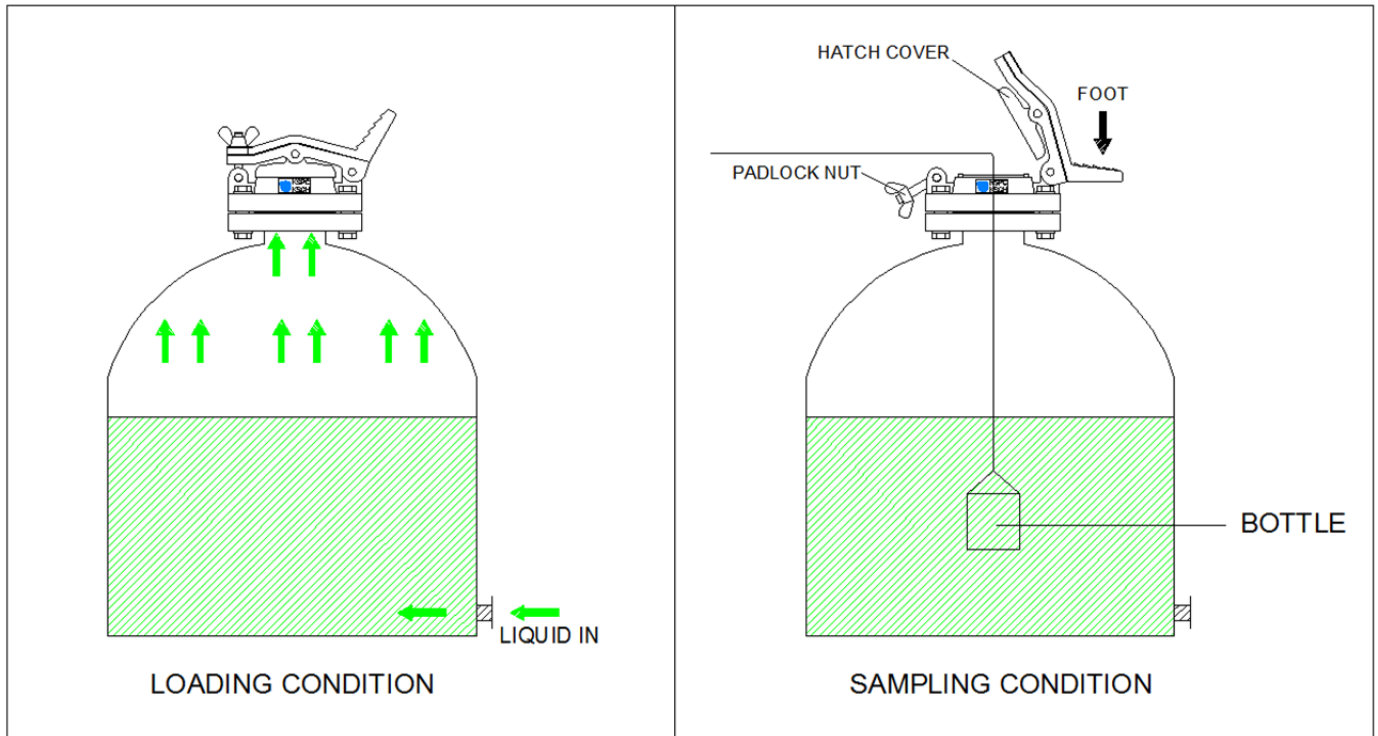


Figure 2

Section 4. Maintenance

4-1 General

- 4-1-1 In the model KSGH/KSGE type Gauge hatch, it is necessary to check the damage of Teflon seat face During scaling or picking the sample from the tank without the extra checking.
- 4-1-2 Thereafter it need to be cleaned and checked regularly in every 6 months at least.
- 4-1-3 Always keep the record of maintenance performed.

CAUTION.

In case of remove the GH from the tank for any reason, make sure all pressure has been released before the flange fasteners are loosened.

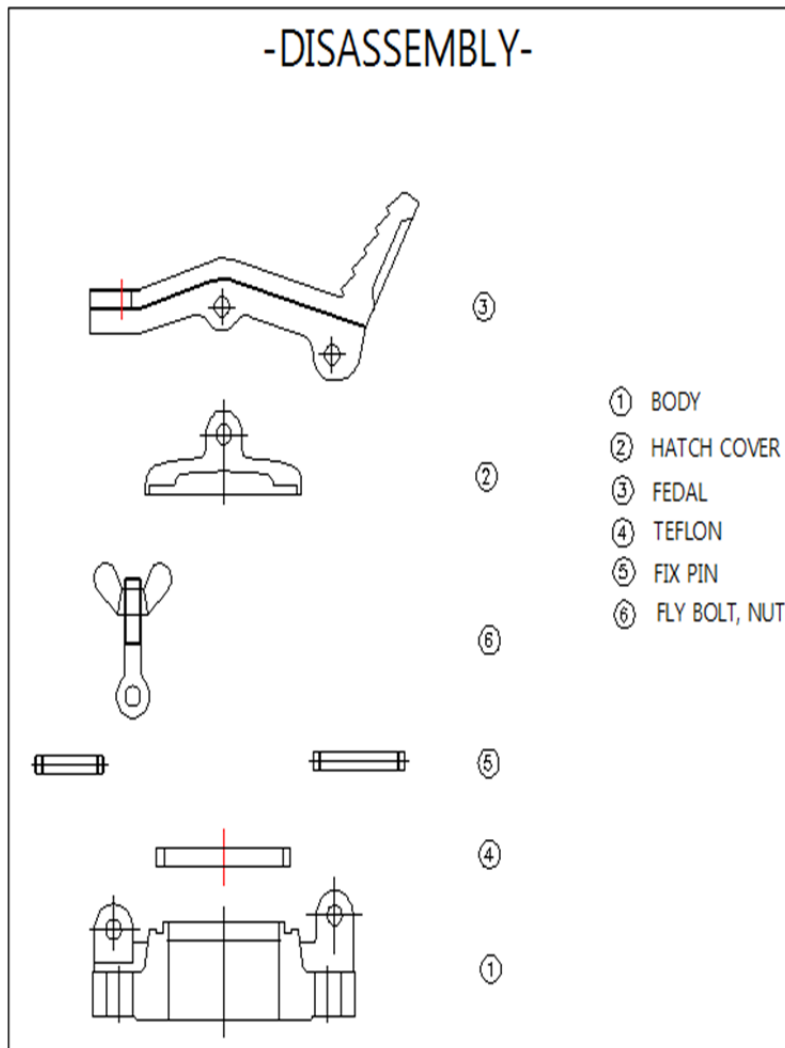
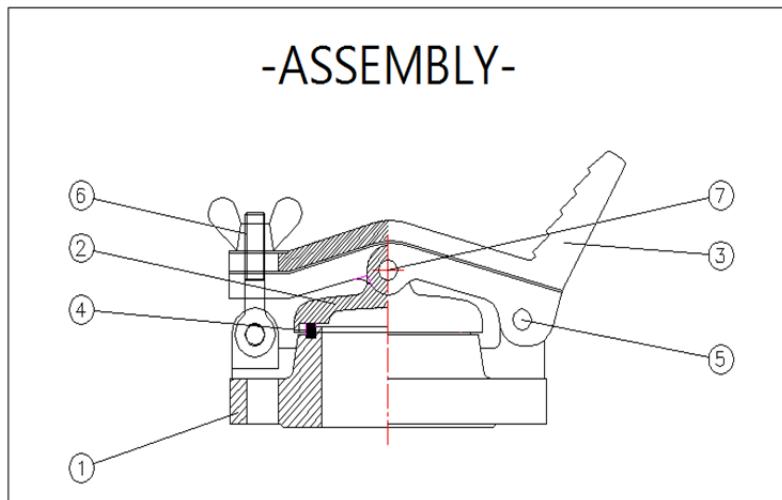
4-2 The Procedure Disassembly and Assembly.

- 4-2-1 It is necessary to use the spark free tools for the maintenance work.
- 4-2-2 Before the work, the inside of storage tank and pipe line should be depressurized and gas . Freed.

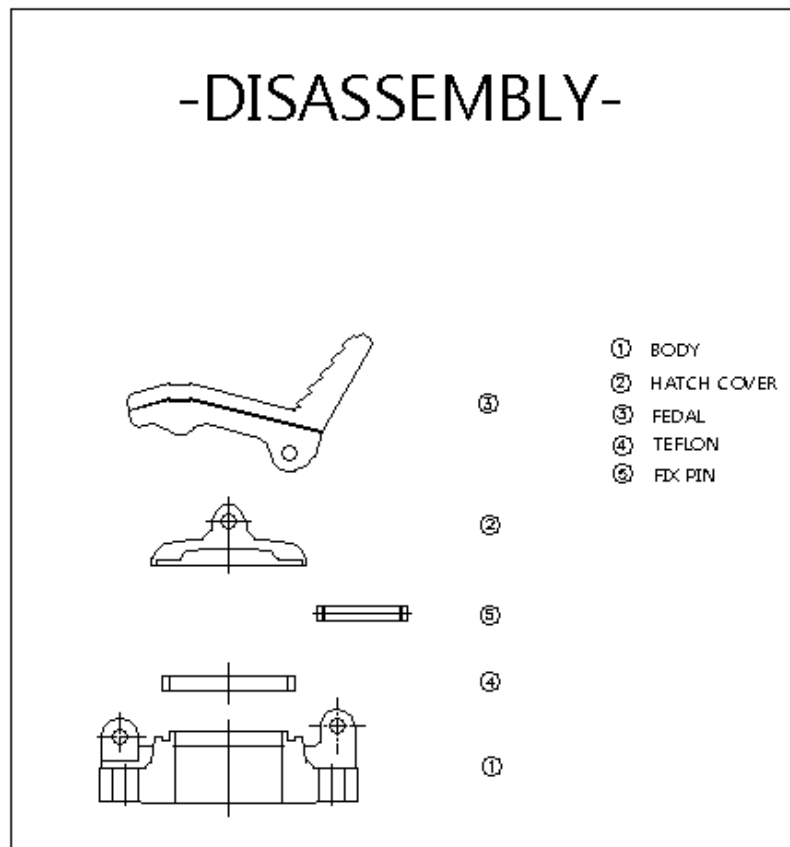
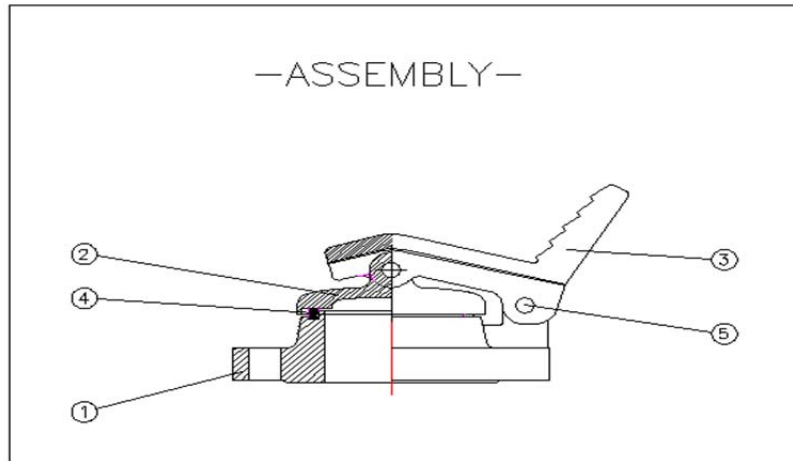
CAUTION.

For the maintenance work, it is necessary to take the preventive measure against inflamm- Ability and toxicity of liquid in the tank.

● MODEL KSGH TYPE ASSEMBLY & DISASSEMBLY



● MODEL KSGE TYPE ASSEMBLY & DISASSEMBLY



Section 5. SHOP / JOB SITE TESTING

5-1 According to the KSPC Standard Code all product should be certify the Non-Spark condition.

